

Technical data sheet



Product features

Induction cooker drop-in el. 9 power levels manual control panel 230 V

Model	SAP Code	00038288
RIB 3521 EB	A group of articles - web	Microwaves

– Control type: Digital



SAP Code	00038288	Net Weight [kg]	4.40
Net Width [mm]	350	Power electric [kW]	3.500
Net Depth [mm]	350	Loading	230 V / 1N - 50 Hz
Net Height [mm]	110		

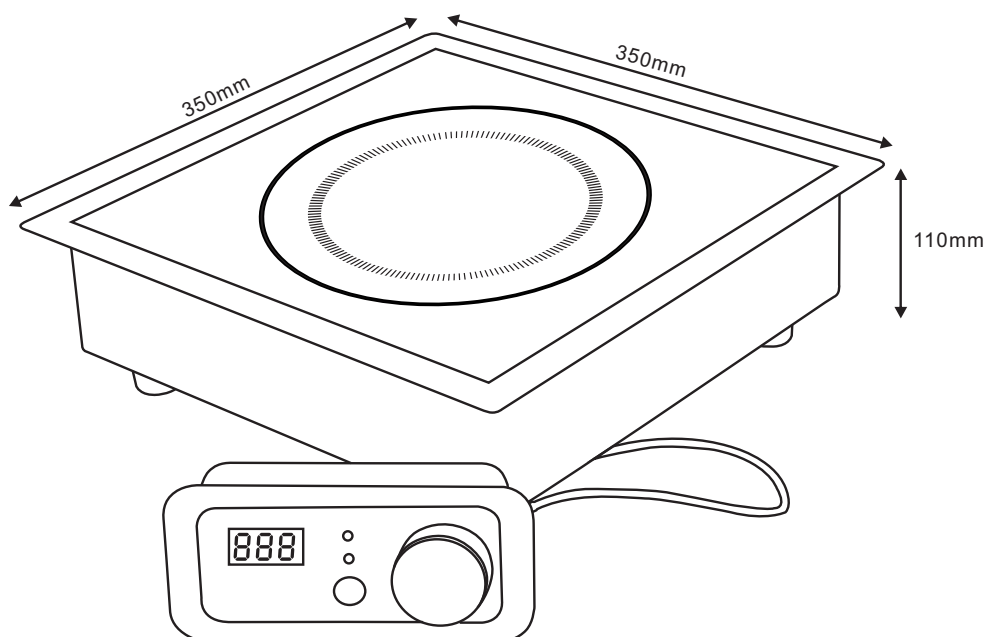
Technical data sheet



Technical drawing

Induction cooker drop-in el. 9 power levels manual control panel 230 V

Model	SAP Code	00038288
RIB 3521 EB	A group of articles - web	Microwaves



Technical data sheet



Technical parameters

Induction cooker drop-in el. 9 power levels manual control panel 230 V

Model	SAP Code	00038288
RIB 3521 EB	A group of articles - web	Microwaves

1. SAP Code:

00038288

2. Net Width [mm]:

350

3. Net Depth [mm]:

350

4. Net Height [mm]:

110

5. Net Weight [kg]:

4.40

6. Gross Width [mm]:

350

7. Gross depth [mm]:

350

8. Gross Height [mm]:

110

9. Gross Weight [kg]:

5.30

10. Device type:

Electric unit

11. Material:

Stainless steel

12. Power electric [kW]:

3.500

13. Loading:

230 V / 1N - 50 Hz

14. Control type:

Digital

15. Cross-section of conductors CU [mm²]:

1